

Underfilling Applications

- Jetting silver paste to lead frames
- Conformal coating for automotive PCB
- Jetting UV glue
- Adhesion/bonding of various electronic parts
- Dotting, lining, coating, and more

MAX speed

333
Shots/sec.



PAT.



High-speed and precision JET Greatly reduced yield cycle time

Pinpoint shooting

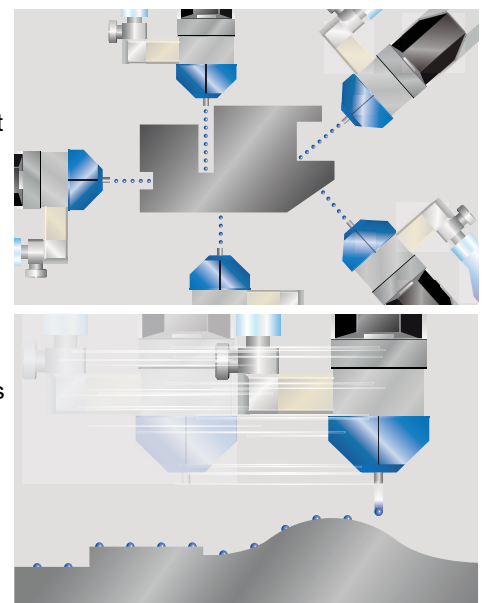
- Flexible dispensing from below, side, or oblique directions
- Effective for applications on uneven/narrow areas to which the normal nozzle is not accessible

High-speed processing

- Dispensing possible without being affected by curves or individual differences in workpieces
- No z-axis movement or gap control is necessary
- Ultra-high-speed processing for the high-precision stable dispensing of minute dots

Cost reduction

- Applied amount needed to the points required



Features

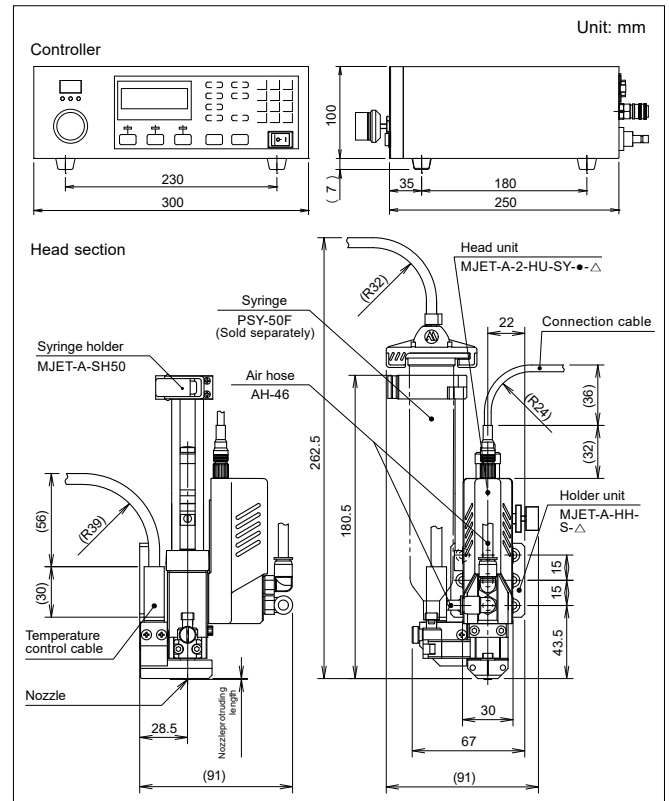
- Equipped with Synchro Speed
- Selectable liquid feeding unit; Tanks, cartridges and syringes
- Temperature controller mounted as standard

Specifications

Name	NON-CONTACT JET DISPENSER AEROJET
Model	MJET-A-2-4CTR
Controller unit's model	MJET-4-CTR
Dispensing method	Jet type
Control method	Microcomputer digital control system
Applicable liquid materials	Underfill material, silver paste, conformal coating material, UV-curing adhesive, epoxy resin, grease, flux, etc.
Applicable containers	Syringe (5 to 70 mL), tank
Temperature setting range	MAX80 °C
Dispensing modes	Timed mode/Manual mode; LINE mode/DOT mode
Dispensing time setting range	0.002 - 9.99999 s
Shot count setting range	1 - 9999
Main functions	Missed shot detection, Synchro Speed, RS-232C communications, Japanese-English display switching
Number of channels	100 CH
External input signals	External dispensing, dispensing mode switching, channel switching
External output signals	Dispensing completion or in-dispensing, solenoid valve actuation, low pressure, mode status, power ON
Rated voltage and frequency	AC100 - 240 V 50/60 Hz
Power consumption	110 W
Applicable standards	CE marking (low voltage directive, EMC directive), EU RoHS
Head unit dimensions	W91×D91×H180.5 mm
Head unit weight	0.6 kg
Controller dimensions	W300×D250×H107 mm
Controller weight	4.0 kg

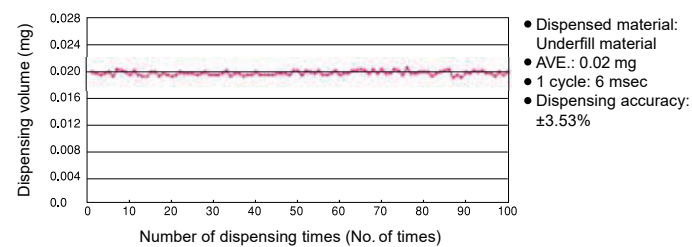
*PSY-50F is equipped.

Outline and dimensions



Dispensing accuracy graph

Precision of the dispensing amount of the underfill agent by the AeroJet



Example: Equipped with DISPENSMASTER FAD5100



Safety precautions
Please read the instruction manual carefully before use to ensure correct and safe usage.

*These specifications are subject to change without any notice.
*The copyright of this catalog belongs to our company. Reproduction and distribution of the pictures, illustrations and any other information in this catalog to any other media without prior written permission are strictly prohibited; doing so will result in copyright infringement.

MUSASHI ENGINEERING, INC. (headquarters) is certified and registered according to the ISO 9001 Quality Management System and the ISO 14001 Environmental Management System.



Váš dodavatel Musashi pro Česko a Slovensko



AMTECH, spol. s r.o.

Tel.: +420 541 225 215

E-mail: davkovani@amtech.cz

Web: www.amtech-dispensing.cz

