

NEW

*Volumetric
precision*
×
*continuous
dispensing*

Single head configuration

For high-speed, high-quality gasket dispensing.

- ◆ Superior for gasket applications with **high speed, high flow rate and high aspect ratio.**
- ◆ Lineup covers **micro-deposits to high flow rates.**
- ◆ Dual head configuration that can achieve **high-precision volumetric mixing for two-component hardening material.**
- ◆ **Highly chemical resistant parts** used for compatibility with **wide range of liquid materials.**
- ◆ Equipped with **Synchro Speed™ function** PAT.P

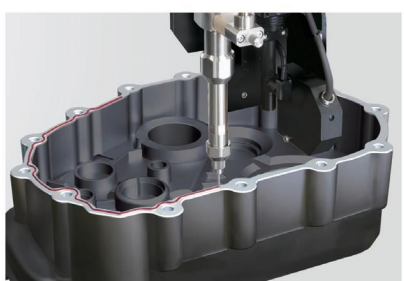


Two-component mixing configuration

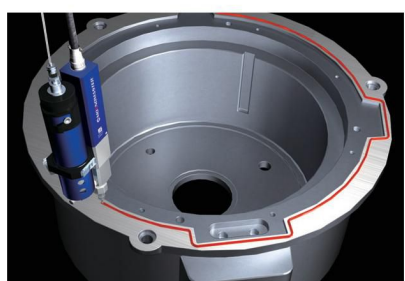
DUAL MOHNO MASTER™



Applications



FIPG dispensing on engine parts



Liquid gasket dispensing on motor covers

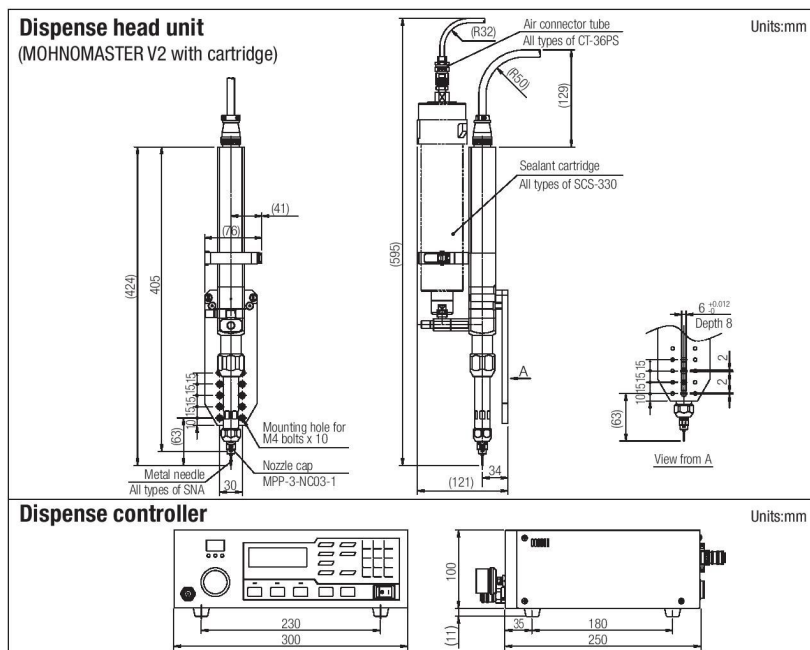


Potting of onboard vehicle substrates

Specifications

Product name	MOHNOMASTER V1	MOHNOMASTER V2
Model	VSD-1-000170	VSD-1-001700
Dispensing system	MOHNO-SYSTEM	
Control system	Microcomputer digital control system	
Applicable liquid materials	CIPG, FIGP, UV adhesives, RTV silicone adhesives, etc.	
Applicable containers	Syringes, barrel cartridges, sealant cartridges, feed pumps, tanks	
Dispensing modes	TIMED mode, MANUAL mode	
Dispensing flow rate range	0.001 to 0.170mL/s	0.010 to 1.700mL/s
Dispensing time setting range	0.01 to 9999.99s	
Main functions	Suck back, Synchro Speed™, turbo function, dispensing shot counter, specific gravity conversion, unit display switch, Japanese-English display switch	
Channel number	100CH	
RS-232C serial communication	Available	
Input signals	Dispense, channel switching, dispensing mode switching, channel preset, channel step, Synchro Speed ON	
Output signals	Dispensing completion/in-dispensing, busy, error, external operation mode, power on	
Rated voltage and frequency	AC100-240V 50/60Hz	
Power consumption	145W	
Dispense head unit dimensions W×D×H (excluding protrusions)	<ul style="list-style-type: none"> · Syringe Configuration: 44×75×297mm · Cartridge Configuration: 70×102.5×297mm · Pump/tank Configuration: 44×84×297mm 	<ul style="list-style-type: none"> · Cartridge Configuration: 70×102.5×405mm · Pump/tank Configuration: 52×87×405mm
Weight of dispense head unit	1.2kg	1.6kg
Controller dimensions W×D×H (excluding protrusions)	300×250×111mm	
Weight of dispense controller	5.0kg	

External Dimensions



Example of desktop robot configuration



Example of mounting cartesian robot for inline production



MUSASHI ENGINEERING, INC. (headquarters) is certified and registered according to the ISO 9001 Quality Management System and the ISO 14001 Environmental Management System.



Váš dodavatel Musashi pro Česko a Slovensko



Amtech
dispensing

AMTECH, spol. s r.o.

Tel.: +420 541 225 215

E-mail: davkovani@amtech.cz

Web: www.amtech-dispensing.cz

