

Qx series

SHOTMASTER® 500 Qx-SS
 SHOTMASTER® 400 Qx-SS
 SHOTMASTER® 300 Qx-SS
 SHOT mini® 200 Qx-SS

The fusion of dispensing “Core” technologies
 MUSASHI’s desktop robot

精剛力

Newly
Developed

Unrivaled
“Precision” and
“Rigidity”



Precision High levels of dispensing quality for enhanced yield

Rigidity High-speed, stable operations of heavy-duty tools and work pieces

◆ **Equipped with SynchroSpeed™ PAT.P NEW**

Achieve a constant drawing width, regardless of robot speed. Reduce takt time to a minimum for ultimate production efficiency

Aiming for higher dispensing quality

Improved linkage with the dispenser

- Reconfigurable dispense conditions from robots **NEW**
- Simple test shot for improved dispensing quality **NEW**
- 3D/Spline interpolation
- Nozzle adjuster **NEW**
Simple, automatic correction of the nozzle position after syringe replacement

Improved usability

New teaching pendant

- Interactive navigation **NEW**
- Easy-to-view, large backlight screen
Dual screen for easier programming
- Inter-robot program copy **NEW**
- Embedded Stopwatch **NEW**
- Japanese, English and Chinese support **NEW**



Multi-skill support

Enhanced hardware configuration

- No misalignment and no loss in synchronization **NEW**
- Built-in Brake
To prevent robot head from falling during emergency stops
- External input/output: 26 ports **NEW**
- High-speed USB communication **NEW**

Image Recognition
350PC Smart mountable



Specifications

Product Name	SHOTMINI 200 OMEGAX		SHOTMASTER 300 OMEGAX		SHOTMASTER 400 OMEGAX		SHOTMASTER 500 OMEGAX		
Model	SM200OMEGAX-3A-SS		SM300OMEGAX-3A-SS		SM400OMEGAX-3A-SS		SM500OMEGAX-3A-SS		
Number of controlled axes	3 axes								
Control method ⁽¹⁾	PTP control, interpolation control								
Travel range	X axis, Y axis	200mm	300mm		400mm		500mm		
	Z axis	80mm							
PTP operation speed setting range ⁽²⁾	X axis, Y axis	1~500mm/s							
	Z axis	1~400mm/s							
Interpolation operation speed setting range ⁽²⁾	X axis, Y axis	0.1~500mm/s							
	Z axis	0.1~400mm/s							
Interpolation	3D line, 3D circular arc / circular, 3D elliptical arc / ellipse, spline								
Repetitive positioning accuracy ⁽³⁾	X axis, Y axis	±0.005mm							
	Z axis	±0.005mm							
Transportable weight ⁽⁴⁾	Y axis	20kg							
	Z axis	15kg							
Number of I/O signal points	General input	26 points							
	-purpose output	26 points							
Program entry method	Teaching pendant and PC								
Display language	Japanese, English, Chinese								
Program capacity ⁽⁵⁾	40,000 steps (999 channels)								
Program storage system	Internal	Internal memory							
	External	Backup on PC with dispensing pattern editing software							
Program editing software	MuCAD V (option)								
Rated power supply and frequency	100 to 240VAC 50/60Hz								
Power consumption	130W				180W				
Adaptive fuse	250V T5.0A (φ5×20 mm) time-lag fuse								
External dimensions ⁽⁶⁾	W380×D460×H590mm		W510×D570×H590mm		W610×D670×H590mm		W710×D770×H590mm		
Weight	30kg		40kg		55kg		66kg		
Other functions	Test shot, eject condition CH switching, SynchroSpeed™, data transfer with teaching pendant								
Other options	Leakage protection box, teaching pendant set, external operation box (horizontal / vertical), work bases, suction box for work bases, holder units, nozzle adjuster, nozzle cleaner, protection cover (door type / optical axis type)								
Compatible standards	CE marking (soon-to-be-released), EU RoHS								

¹ PTP control: Each of the specified axes moves to the end coordinate at a set speed.

Interpolation control: Each of the specified axes moves to the end coordinate at an interpolated composite speed.

² Varies according to factors such as the weight of the object mounted, the object's center of gravity, and the operation performed.

³ This value is measured using Musashi's prescribed method (measurement method consistent with JIS).

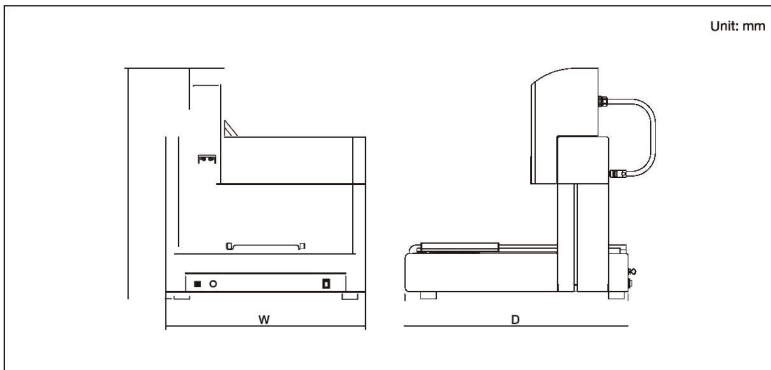
⁴ When options are not mounted. Varies according to the set speed, set acceleration / deceleration time, and operation mode.

⁵ Main routine: 1 to 99CH, Sub routine: 100 to 999CH.

⁶ W and D are the dimensions of the lower section of the case.



External dimensions



Fusion of unrivaled dispensing know-how!

- Intuitive program drawing
- Easy editing for beginners
- Support for transferring programs from previous models (Ω / DS series, etc.)



MUSASHI ENGINEERING, INC. is certified and registered according to ISO14001 ENVIRONMENTAL MANAGEMENT.



Váš dodavatel Musashi pro Česko a Slovensko



AMTECH, spol. s r.o.

Tel.: +420 541 225 215

E-mail: davkovani@amtech.cz

Web: www.amtech-dispensing.cz

