

nL Level

Nano-volume, Ultra-High-Precision Dispensing

Additional power for nano-deposit / high-precision dispensing, filling of liquid medicines, solvents and volatile materials



- ◆ **High stability dispensing** by digital control and measurement system.
- ◆ **Elimination of fluid drips issue** by unique plunger mechanism and suck-back function.
- ◆ Also compatible with micro-syringes, for **high-precision dispensing of liquid material nano-deposits.**

Suitable products

LSI, IC, hybrid IC, transistors, diodes, color LCD, PCBs and other types of semiconductors, LCD substrates and electronic components. Products with precision mechanisms such as watches, cameras and optical equipment, as well as medical supplies and foodstuff.

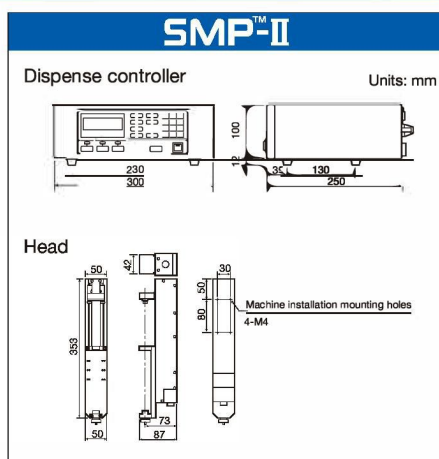
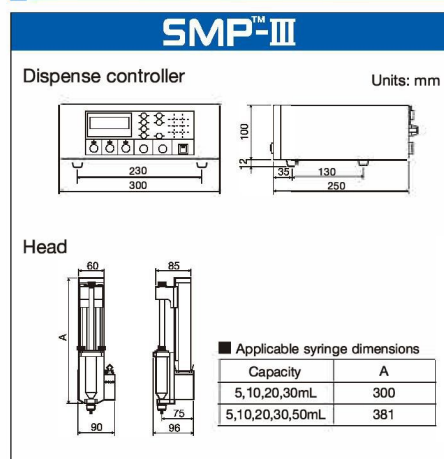
Applications

Nano-deposit filling, micro-deposit dispensing, spot applications, line applications, adhesives, potting, etc.

Specifications

Product name	Nano-volume Quantitative Dispenser NANO MASTER		
	SMP-III 30 mL Type	SMP-III 50 mL Type	SMP-II
Model	SMP-3-30	SMP-3-50	SMP-2
Dispenser Controller Model	SMP3-C		SMP2-C
Dispensing system	Volume measurement system		
Control system	Microcomputer digital control system		
Applicable liquid materials	Anaerobic adhesive, silicon resin, liquid medicine, UV adhesive, volatile liquid material, flux, ink		
Applicable syringe	0.05, 0.5, 1, 5 or 10 mL micro-syringe 5, 10, 20 or 30 mL syringe	5, 10, 20, 30 or 50 mL syringe	
Dispensing modes	TIMED mode, MANUAL mode, FINE mode/NORMAL mode		
Dispensing volume setting range	With 0.05 mL micro-syringe selected...0.0001 to 500.0000 μ L With 0.5 mL micro-syringe selected...0.001 to 500.000 μ L With 1 mL micro-syringe selected...0.001 to 1000.000 μ L With 5 mL micro-syringe selected...0.01 to 5000.00 μ L With 10 mL micro-syringe selected...0.01 to 10000.00 μ L With 5 mL syringe selected.....0.004 to 5000.000 μ L With 10 mL syringe selected.....0.005 to 10000.000 μ L With 20 mL syringe selected.....0.009 to 20000.000 μ L With 30 mL syringe selected.....0.009 to 30000.000 μ L With 50 mL syringe selected.....0.009 to 50000.000 μ L		With 5 mL syringe selected...0.1 to 5000.0 μ L With 10 mL syringe selected...0.1 to 10000.0 μ L With 20 mL syringe selected...0.1 to 20000.0 μ L With 30 mL syringe selected...0.1 to 30000.0 μ L With 50 mL syringe selected...0.1 to 48818.3 μ L
Main functions	Automatic low fluid alarm, suck back, Synchro Speed, dispensing shot counter, stop watch, unit display switch, Japanese-English display switch		
Channel number	400 CH		
RS-232C serial communication	Available		
Input signals	Dispense, channel switching, dispensing mode switching, channel preset, channel step, Synchro Speed ON		
Output signals	Dispensing completion/in-dispensing (selectable), busy, error, remaining volume alert, in-maintenance, in-limit, power on, replacement required, operating direction		
Rated voltage and frequency	AC100-240 V 50/60 Hz		
Power consumption	45 W		55 W
Conformity standards	CE marking machinery directive (low-voltage directive, EMC directive) EU RoHS		
Dispense head unit dimensions W*D*H	W90.5xD122.5xH300 mm	W90.5xD122.5xH381 mm	W50xD87xH352.5 mm
Weight of dispense head unit	2.3 kg	2.5 kg	1.8 kg
Dispense controller dimensions W*D*H	W300xD250xH111 mm		
Weight of dispense controller	4.5 kg		

External Dimensions



Example of desktop robot installation



Safety precaution

Make sure to read the instruction manual before you use the unit, for your safety.

* We reserve the right to change the specifications without notice.

* All copyrights are retained by MUSASHI ENGINEERING. Reprinting, reproducing, and/or transmitting as electronic data in whole or in part these material without prior written permission is strictly prohibited.

MUSASHI ENGINEERING, INC. is certified and registered according to ISO14001 ENVIRONMENTAL MANAGEMENT.



Váš dodavatel Musashi pro Česko a Slovensko



Amtech
dispensing

AMTECH, spol. s r.o.

Tel.: +420 541 225 215

E-mail: davkovani@amtech.cz

Web: www.amtech-dispensing.cz

